

Product Catalogue

Household Products

Pressure Boosting pump – Submersible Drainage pump – Submersible Sewage pump –
Submersible Borehole pump – Agricultural/Industrial pump – Deep Well Application –
Hot Water Circulation – Chemical Application



Chemical Application

PM Series

Small/Medium Size Magnet Pump



PM Series(small size)



PM Series(medium size)

Application

Wetted Part in Noryl

→ PM-051NE

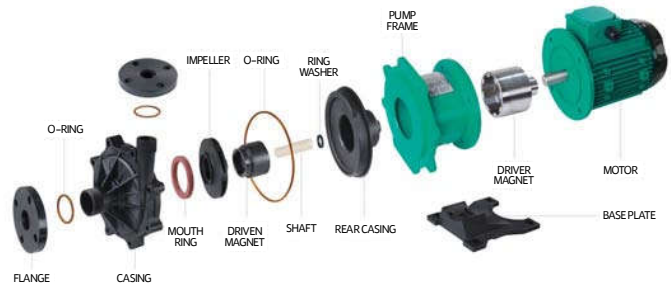
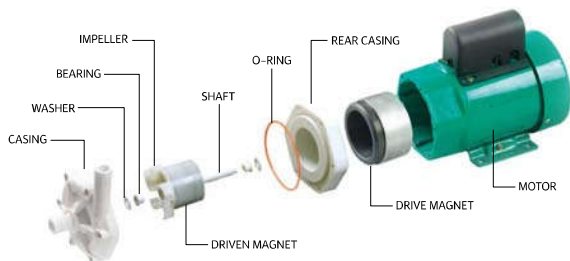
- Hot water circulation
- Hot water supplying for solar system or heat tank
- General water circulation

Wetted Part in PP(PolyPropylene) Product

→ PM-030PE, 052PE, 150PE, 250PES/PEH, 300PES/PEH, PM-403PG, 753PG, 1503PG, 2203PG, 3703PG

- Corrosive chemical solutions, acids and alkalis
- Photograph developing solutions, fixers, bleaching solutions and inks
- Etching apparatus for electronic parts, and photochemical processes
- Dyeing equipment and waste liquid treating units

Features



• Anti-leakage

Driven by magnet (without any seal).

• Chemical Resistance and Reliability

Highly chemical resistant polypropylene, fluor rubber and ceramics are standard materials for wetted parts. This offers a wide range of pump applications.

• High Efficiency with Compact Size

Logically designed to compact sizes to offer exceptionally high efficiency. Ideally suited for building into various kinds of apparatus and machinery.

• Pumping Hot Water(PM-051NE)

Designed to deliver hot water up to 90°C thanks to noryl plastic parts.

• Easy Maintenance

Simple design coupled with the absence of any sealing parts for easy maintenance and inspection.

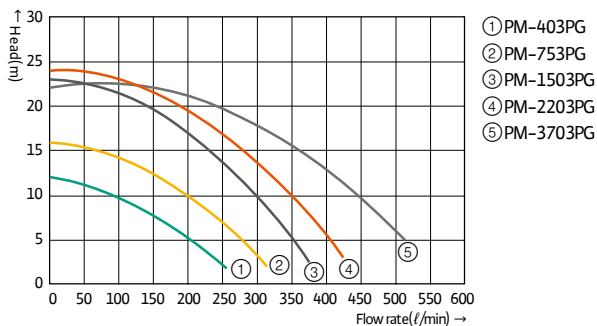
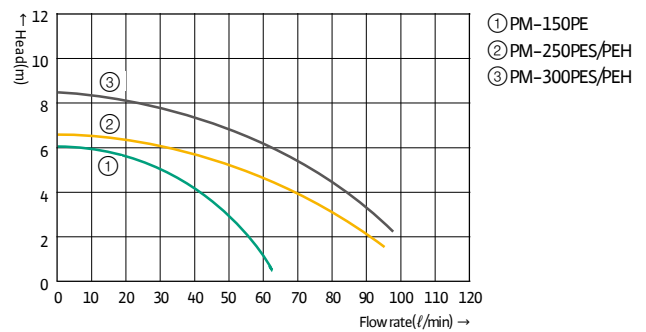
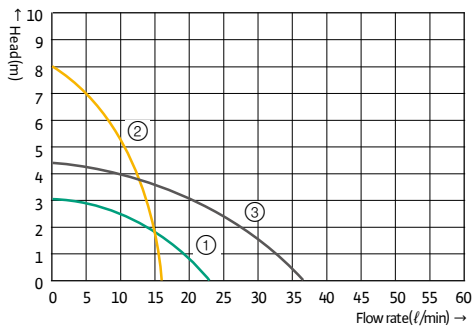
PM Series

Small/Medium Size Magnet Pump

Technical Data									
	Model	Power source	Output (W)	Max. Head (m)	Max. Flow (ℓ/min)	Rated flow (ℓ/min)	Connection Size (mm, inch)	Max. Fluid Temperature (°C &ℓ)	Main material
Small size	PM-030PE	Single phase 220V 50Hz	30	2.5	22	15 (Ht=1.5m)	17 Hose	60	P.P
	PM-051NE		50	8	15	11 (Ht=4m)	19 Hose	90	NORYL
	PM-052PE		50	4	35	25 (Ht=2.5m)	20 Hose	60	P.P
	PM-150PE		150	5.5	60	30 (Ht=4m)	20 Hose		
	PM-250PES		250	6	90	50 (Ht=4m)	25 (1") Screw		
	PM-250PEH		250	6	90	50 (Ht=4m)	26 Hose		
	PM-300PES		300	7.5	95	65 (Ht=4m)	25 (1") Screw		
	PM-300PEH		300	7.5	95	65 (Ht=4m)	26 Hose		
Medium size	PM-403PG	Three phase 220/380V 50Hz	370	11	250	150 (Ht=7m)	40 (1 1/2") Flange	60	P.P
	PM-753PG		750	16	300	180 (Ht=10m)			
	PM-1503PG		1500	22	370	250 (Ht=15m)	50 (2") Suction Flange 40 (1 1/2") Discharge Flange		
	PM-2203PG		2200	23	420	250 (Ht=18m)			
	PM-3703PG		3700	24	550	300 (Ht=20m)	50 (2") Flange		

※ Note : performances above are driven by the terms of clean water and room temperature. Therefore, performances could be changed by conditions such as environmental temperature, fluid viscosity and specific gravity.

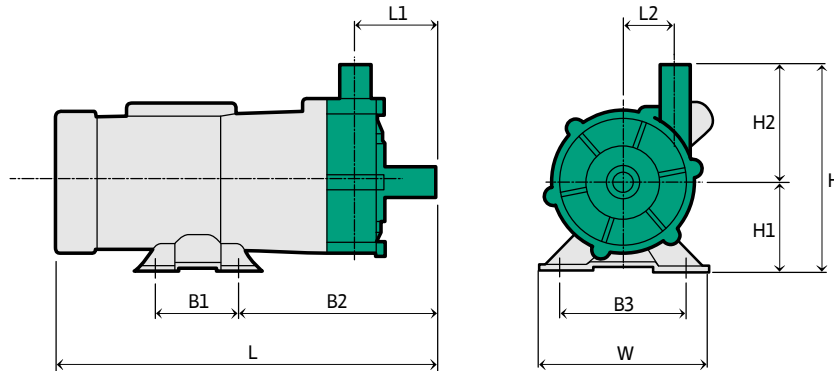
Performance Curve



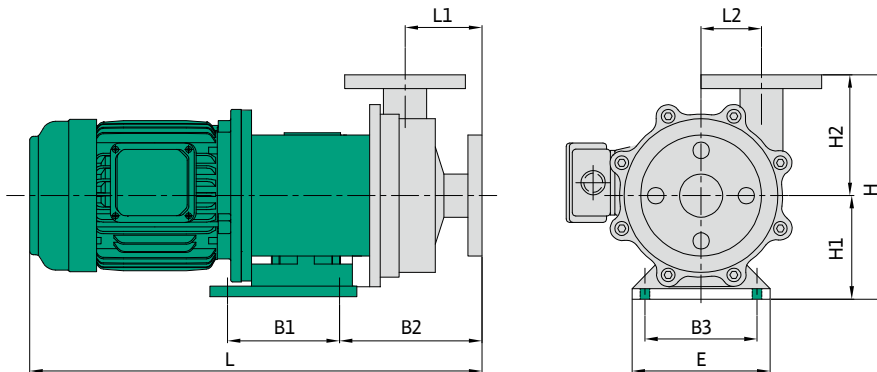
Chemical Application

PM Series

Small/Medium Size Magnet Pump



Model	Dimension (mm)										Weight (kg)
	H	H1	H2	L	L1	L2	B1	B2	B3	W	
PM-030PE	118	55	63	202	38	25	44	105	74	106	2.2
PM-051NE	153	62	95	245	40	44	44	118	94	106	3.5
PM-052PE	130	60	70	255	48	31	40	149	100	120	3.5
PM-150PE	153	68	85	273	48	50	70	143	86	112	6.8
PM-250PES/PEH	166	71	95	373	73	47	90	219	99	144	10
PM-300PES/PEH	171	71	100	363	65	44	90	211	99	144	11



Model	Dimension(mm)										Weight (kg)
	H	H1	H2	L	L1	L2	B1	B2	B3	W	
PM-403PG	235	110	125	470	86	52	98	140	110	140	20.0
PM-753PG	255	115	140	525	90	66	130	165	130	160	30.5
PM-1503PG	275	115	160	620	100	66	200	165	210	260	40.0
PM-2203PG	275	115	160	620	100	66	200	165	210	260	42.5
PM-3703PG	315	165	150	685	100	66	90	180	200	240	68.5