

Product Catalogue

Household Products

Pressure Boosting pump – Submersible Drainage pump – Submersible Sewage pump –
Submersible Borehole pump – Agricultural/Industrial pump – Deep Well Application –
Hot Water Circulation – Chemical Application



Submersible Drainage

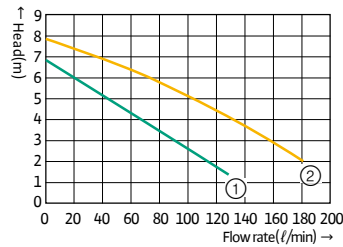
PD Series

Volute Type



PD-180E(A) PD-300E(A)

Performance Curve

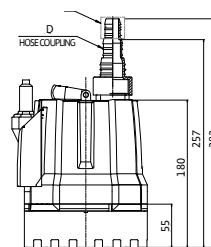


① PD-180E(A)
② PD-300E(A)

Features

- Lower residual water level
- Smaller motor size
 - Water cooling structure
 - Pressure sensor auto control
- Anti-rust material
- Component parts insensitive to corrosion
- Automatic operation by float switch(EA models)

Dimension Drawing



unit : mm

Model	"A"	DIP P II
PD-180E(A)	O	20, 25, 32
PD-300E(A)	-	25, 32

Application

- Cleaning public bath, water tank
- Drainage to prevent flooding for small space
- Lift & transfer water

Technical Data

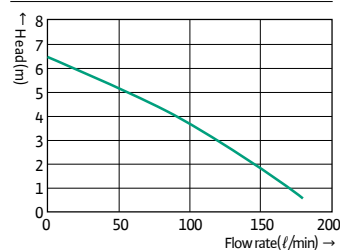
Model	Power Source	Fluid Temperature (&)	Output (W)	Max. Head (m)	Max. Flow Rate (l/min)	Discharge Size (mm, inch)
PD-180E(A)	Single phase 220V 50Hz	0 ~ +40	180	5.5	100	20, 25, 32
PD-300E(A)			300	7.5	160	25, 32

DLV Series

Drainage Pump System



Performance Curve



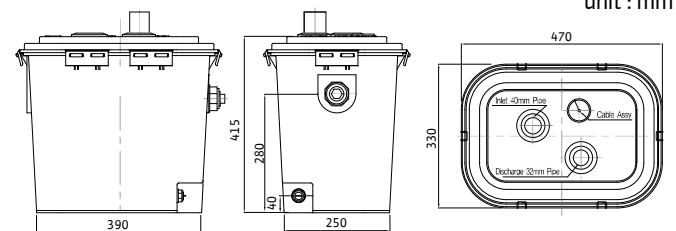
Features

- All-in-one locking structure, neat design
- Strong to external impact
- Adopting a vortex type pump
- Suitable for usage at low temperature thanks to flexible case material (liquid temp. -0 ~ 40 &)
- Complete protection from bad scent thanks to silicon gasket
- Maximum capacity is 23 l

Application

- Wastewater treatment at first basement floor or Semi-basement floor
- Wash machine, shower room, dish washer, kitchen, wash basin and urinal (Up to 23 l)

Dimension Drawing



unit : mm

Technical Data

Model	Power Source	Fluid Temperature (&)	Output (W)	Capacity (l/min)	Suction Size (mm, inch)	Discharge Pipe Size (mm, inch)	Free Passage Size (mm)
DLV-300EA	Single phase 220V 50Hz	0 ~ +40	280	100 (Ht=3m)	Top: 40 (1 1/2") Side: 32 (1 1/4")	32 (1 1/4")	20

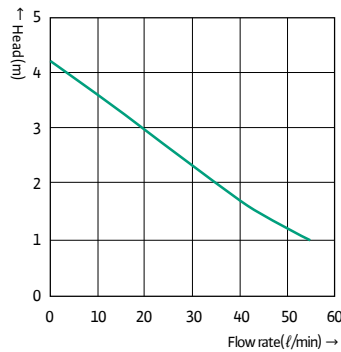
PD-G Series

Volute Type



PD-G050E(A)

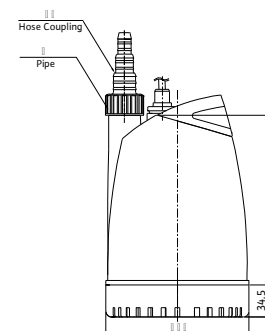
Performance Curve



Features

- Lower residual water
- Anti-corrosion material for wetted part
- Safety design for motor
 - Built with Thermal Protector (T.P)
- Automatic operation by float switch(EA model)

Dimension Drawing



unit : mm

Application

- Most suitable to drain thick water from pools, ditches, sewers
- Drainage from cellar

Technical Data

Model	Power Source	Fluid Temperature (&)	Output (W)	Max. Head (m)	Max. Flow Rate (l/min)	Discharge Size (mm, inch)
PD-G050E(A)	Single phase 220V 50Hz	+3 ~ +40	50	3.5	45	25 (1")

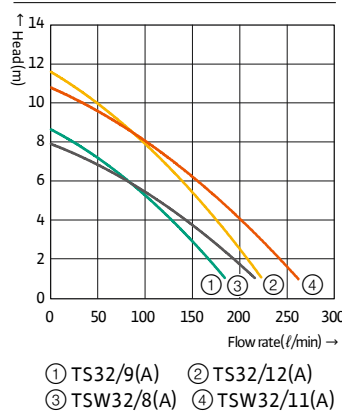
TS, TSW Series

Volute Type



TS, TSW Series

Performance Curve

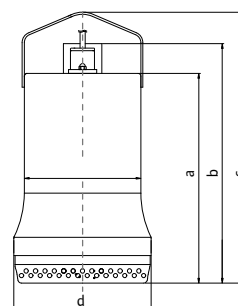


- ① TS32/9(A) ② TS32/12(A)
③ TSW32/8(A) ④ TSW32/11(A)

Features

- Stainless steel material
- Vertical discharge - Save up installation space
- Automatic operation by float switch (A model)
- CE certificate
- TSW : With turbulator

Dimension Drawing



Model	Dimensions(mm)			
	a	b	c	d
TS32/9(A)	246	280	320	161
TS32/12(A)	266	300	340	161
TSW32/8(A)	270	300	340	171
TSW32/11(A)	290	320	360	171

Application

- Clean water drainage

Technical Data

Model	Power Source	Fluid Temperature (&)	Output (W)	Max. Head (m)	Max. Flow Rate (l/min)	Discharge Size (mm, inch)
TS32/9(A)	Single phase 220V 50Hz	+3 ~ +35	300	8.6	185	32(1 1/4")
TS32/12(A)		+3 ~ +35	600	11.6	225	32(1 1/4")
TSW32/8(A)		+3 ~ +35	300	7.9	215	32(1 1/4")
TSW32/11(A)		+3 ~ +35	600	10.8	260	32(1 1/4")

Submersible Drainage

PD-S Series

Volute Type

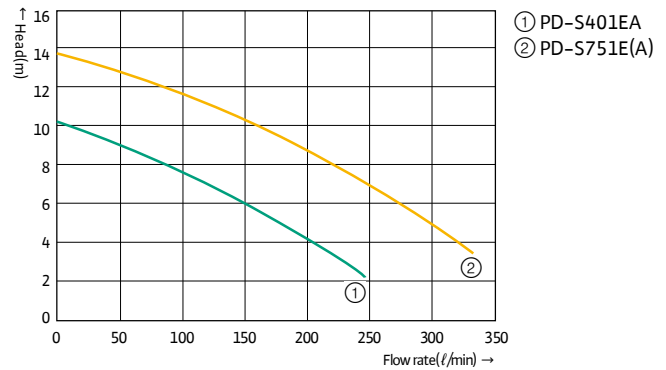


PD-S401EA



PD-S751E(A)

Performance Curve



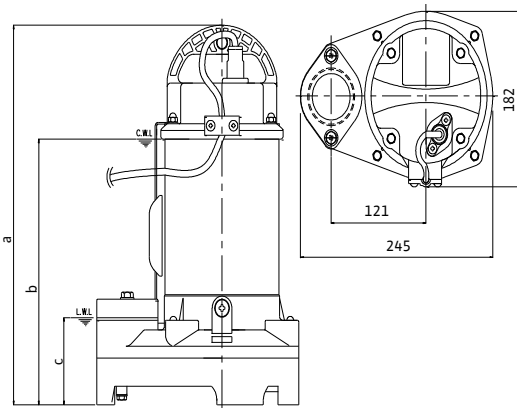
Features

- Stainless steel material
- Vertical discharge – Save up installation space
- Automatic operation by float switches (EA model)

Application

- Clean water drainage
- Sea water drainage
- Aquarium, fish farm, etc.

Dimension Drawing



Model	Dimensions(mm)		
	a	b	c
PD-S401EA	390	273	86
PD-S751E(A)	407	290	86

Technical data

Model	Power Source	Output (W)	Max. Head (m)	Rated Flow Rate (l/min)	Discharge Size (mm, inch)	Weight (kg)	Fluid Temperature ℃ & ℉
PD-S401EA	Single phase 220V 50Hz	400	9	150(Ht=5m)	1 1/2" (38mm)	12	-10 ~ +40
PD-S751E(A)		750	12	220(Ht=7m)		14	-5 ~ +40

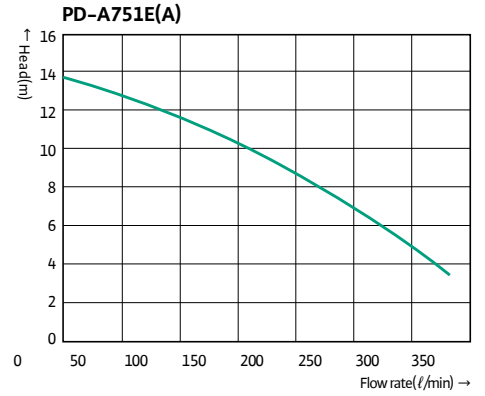
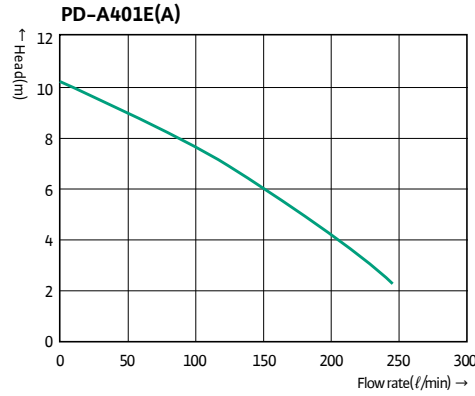
PD-A Series

Volute Type



PD-A401, A751 Series

Performance Curve



Features

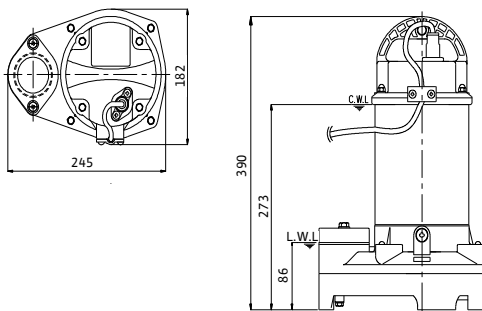
- Corrosion resistant (Al-Anode)
- Leak-proof (double M/seal)
- Float switch (auto operation)
- Rust proof hydraulic material
- Portable using lifting handle
- Automatic operation by float switch (EA series only)

Application

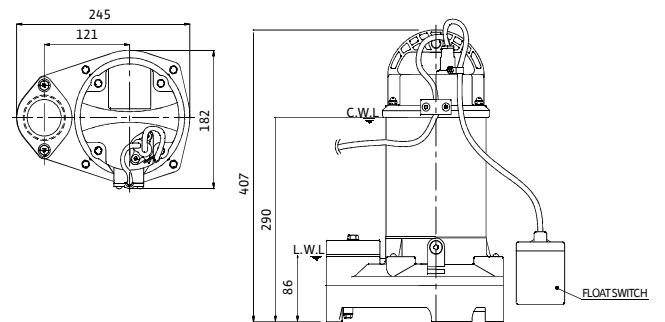
- Fountain, all clean water drainage application

Dimension Drawing

PD-A401E(A)



PD-A751E(A)



unit : mm

Technical Data							
Model	Power Source	Output (W)	Max. Head (m)	Rated Flow Rate (l/min)	Discharge Size (mm, inch)	Weight (kg)	Fluid Temperature (°C & °F)
PD-A401E(A)	Single phase 220V 50Hz	400	9	150 (Ht=5m)	∅ ∅ ∅ ∅	12	-10 ~ +40
PD-A751E(A)		750	12	220 (Ht=7m)		14	-5 ~ +40

Submersible Sewage

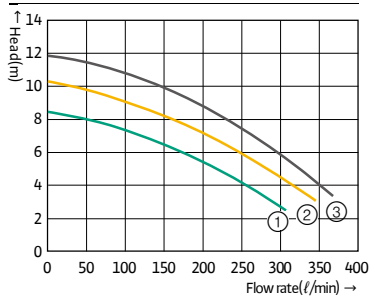
Wilo-Rexa MINI3 Series

Volute Type



Rexa MINI3

Performance Curve



- ① Rexa MINI-V04.09
- ② Rexa MINI-V04.11
- ③ Rexa MINI-V04.13

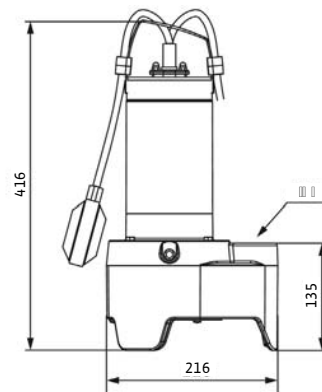
Features

- Optimized efficiency and high reliability thanks to improved hydraulics
- Easy installation also in narrow pits thanks to compact design, light-weight, integrated capacitor and threaded flange
- Outstanding reliability thanks to cast iron pump housing and corrosion-free impeller for universal applications and diverse fluids
- Long maintenance intervals thanks to oil chamber and rubber molded cable connection
- Fast maintenance thanks to direct access to seal chamber and pump housing

Application

- Pumping of sewage (not containing faeces)
- Waste water

Dimension Drawing



unit : mm

Technical Data

Model	Power Source	Fluid Temperature (°C)	Output (kW)	Max. Head (m)	Max. Flow Rate (l/min)	Discharge Size (mm, inch)	Weight (kg)	
Rexa MINI3-V04.09/M05-523/A-5M	Single phase 230V 50Hz	+3 ~ +40	0.5	9	300	40 (1 1/2")	13	
Rexa MINI3-V04.09/M05-523/A-10M							14	
Rexa MINI3-V04.09/M05-523/P-5M							13	
Rexa MINI3-V04.09/M05-523/P-10M							14	
Rexa MINI3-V04.09/T05-540/O-5M	Three phase 400V 50Hz		13					
Rexa MINI3-V04.09/T05-540/O-10M			14					
Rexa MINI3-V04.11/M06-523/A-5M	Single phase 230V 50Hz		0.6	11	333		14	14
Rexa MINI3-V04.11/M06-523/A-10M								15
Rexa MINI3-V04.11/M06-523/P-5M								14
Rexa MINI3-V04.11/M06-523/P-10M								15
Rexa MINI3-V04.11/T06-540/O-5M	Three phase 400V 50Hz		13					
Rexa MINI3-V04.11/T06-540/O-10M			14					
Rexa MINI3-V04.13/M08-523/A-5M	Single phase 230V 50Hz	0.75	13	367	14	14		

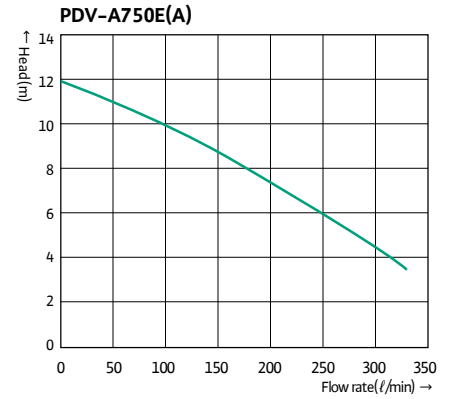
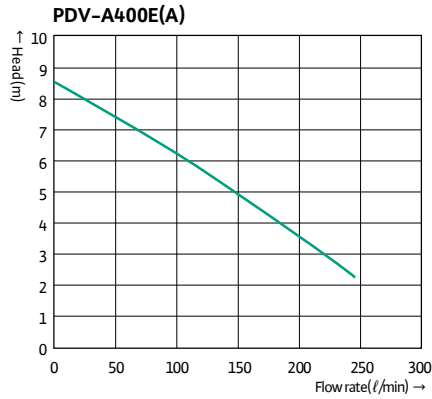
PDV-A Series

Volute Type



PDV-A400, A750 Series

Performance Curve



Features

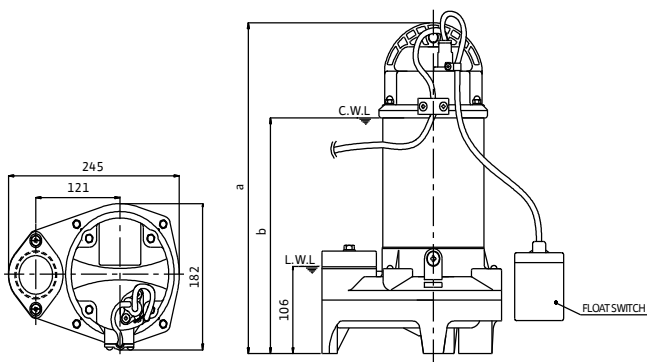
- Stainless steel and engineering plastic materials
- Easy transportation and installation thanks to weight lightening
- Triple sealing design with packing
- Applying double mechanical seal made of silicon carbide and oil seal
- All-in-one design with discharge and casing

Application

- Drainage and sewage for basement
- Drainage for cattle shed and waste water treatment
- Drainage for agriculture and gardening facility

Dimension Drawing

PDV-A400E(A), A750E(A)



Model	Dimensions(mm)	
	a	b
PDV-A400E(A)	411	293
PDV-A750E(A)	428	310

Technical Data

Model	Power Source	Output (W)	Total Head (m)	Rated Flow Rate (l/min)	Discharge Size (mm, inch)	Weight (kg)	Fluid Temperature (°C & °F)
PDV-A400E(A)	Single phase 220V 50Hz	400	7	150 (Ht=4m)	50 (2")	12	-10 ~ +40
PDV-A750E(A)		750	10	220 (Ht=6m)	50 (2")	15	-5 ~ +40