



Công ty TNHH TBKT An Quảng
Hotline: 0901.120122 - 0901.171667 - 0905.468093
Địa chỉ: 438 Ông Ích Khiêm - Thanh Khê - Đà Nẵng
Email: phucnt@anquang.com - kinhdoanh@anquang.com

www.pumps.com.tw

BAV series

Sewage Non-Clogging Vortex Pump

Liquid temperature : 0 °C to 40 °C / +32 °F to +104 °F

HP range : 1/5 to 3/4 HP / 150 W to 550 W

pH : 6 to 8

Protection class : IP68

Maximum immersion depth : 8M

Solid pass : 10~35mm



Discharge Water



Livestock production facilities.



Sprinkling



Sump pit

HUNG PUMP GROUP

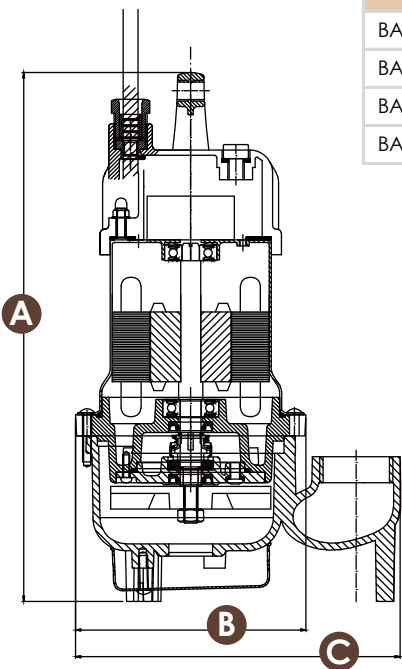
Sewage Pumps



www.pumps.com.tw

Công ty TNHH TBKT An Quảng
 Hotline: 0901.120122 - 0901.171667 - 0905.468093
 Địa chỉ: 438 Ông Ích Khiêm - Thanh Khê - Đà Nẵng
 Email: phucnt@anquang.com - kinhdoanh@anquang.com

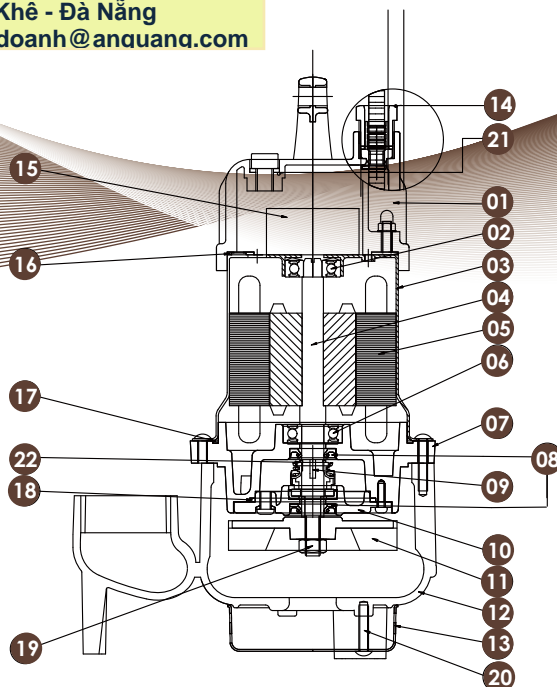
Dimension			
Model	A	B	C
BAV-150	304	131	186
BAV-250	314	131	196
BAV-400	350	143	224
BAV-550	365	144	224



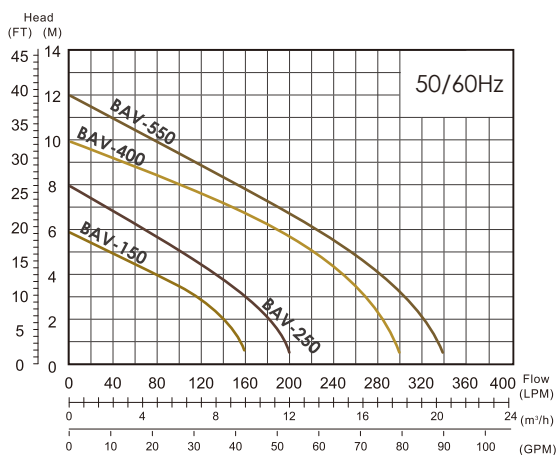
Flow Switch



Non-Clogging Vortex Impeller Design



Construction					
No.	Description	Material	No.	Description	Material
1	Top Cover	Nylon+Fiberglass	12	Pump Casing	FC200
2	Upper Bearing	CNM 5K	13	Strainer	SUS304
3	Motor Housing	SUS304	14	Power Cord Set	H05RNF/H07RNF
4	Shaft	SUS410	15	Capacitor	PP
5	Stator	Silicon Steel	16	Cap Packing	NBR
6	Lower Bearing	CNM 5K	17	O-Ring	NBR
7	Seal Plate	FC200	18	O-Ring	NBR
8	Oil Seal	NBR	19	Nut	SUS
9	Me. Seal	CA/CE	20	Setting Screw	SUS
10	Seal Cover	FC200	21	Plug Screw	COATED STEEL
11	Impeller	FC200	22	C Retaining Ring	SUS



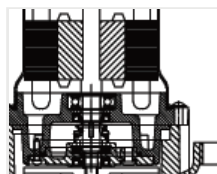
BAV-S : with strainer
 BAV : without strainer



No Strainer for sewage water.



Optional with strainer for clean water.



Pump can endure corrosion & long service life over 5 years by industrial plastic top cover & one piece design stainless steel motor casing.



PSC Motor Design & B class insulation.



Oil seal prevents sand and fine piece foreign matters to enter & ensure Mech. Seal long service life..



Power cable export insulation treatment. No water leaking.

Specification

Model No.	Output		Outlet		Solid Pass Dia(mm)	Max Flow (LPM)	LPM Flow @ Head					Max Head (M)	Dimension L x W x H(mm)	Weight Kg
	HP	W	mm	inch			1.5M	3M	4.5M	6M	7.5M			
BAV-150	1/5	150	32	1-1/4"	10	160	150	115	60	-	-	6	186 x 131 x 304	7
BAV-250	1/3	250	40	1-1/2"	25	200	190	160	120	70	15	8	196 x 131 x 314	9
BAV-400	1/2	400	50	2"	30	300	290	270	235	185	125	10	224 x 143 x 350	11
BAV-550	3/4	550	50	2"	35	340	330	305	270	225	170	12	224 x 144 x 365	12

HUNG PUMP GROUP

TEL : (886)3-371-3969 FAX : (886)3-371-3996
 E-MAIL : info@pumps.com.tw
 16 Lien-Ming Street, Ba-De City 334, Taoyuan, Taiwan

30360218-06D12