



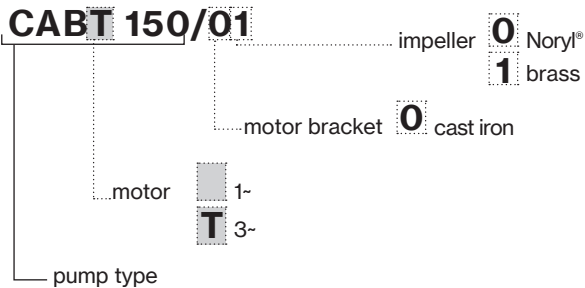
Self-priming centrifugal pump for water supplies (even if mixed with gas) in small and medium household and civil systems; when connected to autoclave tanks, an automatic pressurisation system comes.

Construction features

| | |
|---------------------------|---|
| Pump body | cast iron |
| Motor bracket | cast iron |
| Impeller | Noryl® or brass |
| Mechanical seal | ceramic-graphite-NBR |
| Motor shaft | stainless steel AISI 303 hydraulic side |
| Liquid temperature | 0 - 50 °C |
| Operating pressure | max 8 bar |

Motor

| | |
|--------------------------------|--|
| | 3~ 230/400V-50Hz |
| 2 Poles induction motor | 1~ 230V-50Hz (with thermal protection) |
| Insulation class | F |
| Protection degree | IPX4 |

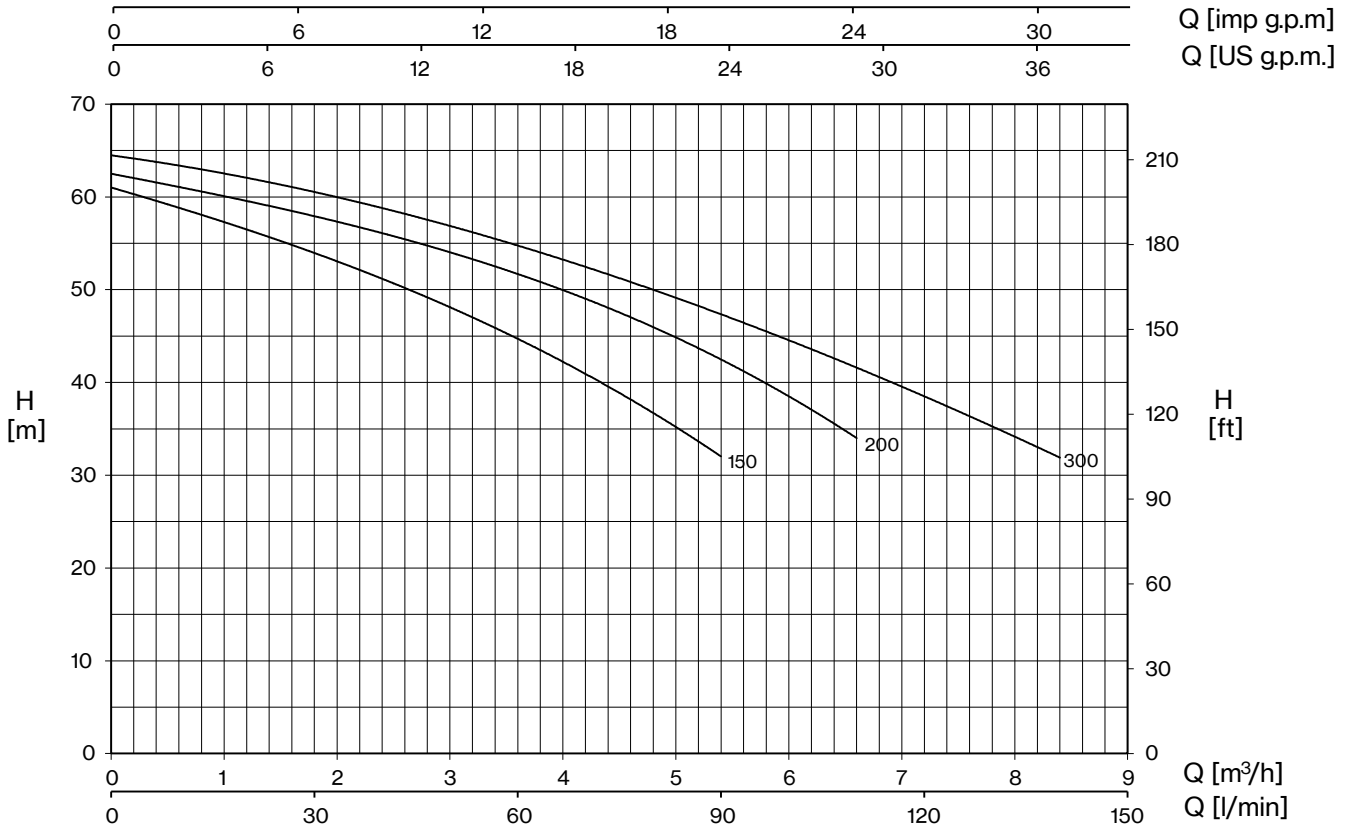


| TYPE | LOTS | | | |
|------------|-------------|----------|-------------|----------|
| | TRUCK | | CONTAINER | |
| | PALLET (cm) | N° pumps | PALLET (cm) | N° pumps |
| CAB | 85x110x140 | 30 | 85x110x190 | 42 |

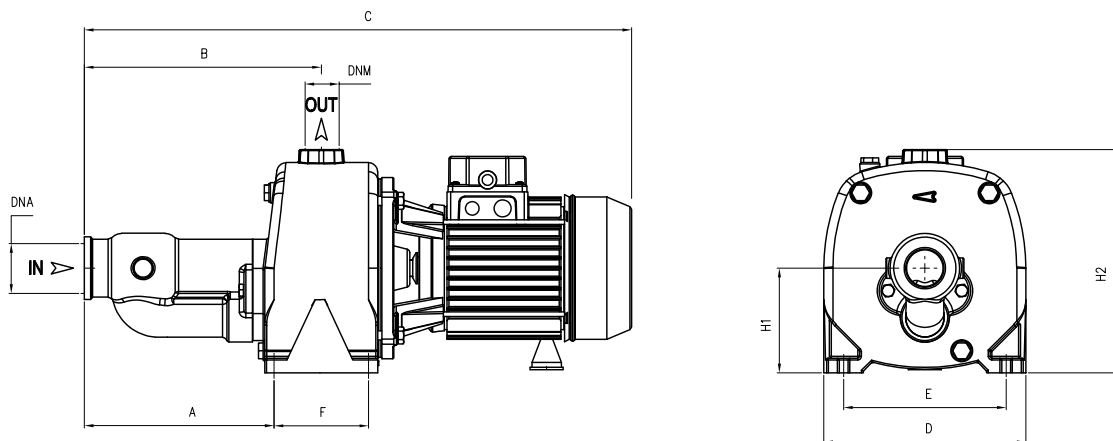


CAB

Công ty TNHH TBKT An Quảng
 Hotline: 0901.120122 - 0901.171667 - 0905.468093
 Địa chỉ: 438 Ông Ích Khiêm - Thanh Khê - Đà Nẵng
 Email: phucnt@anquang.com - kinhdoanh@anquang.com



| TYPE | | P2 | | P1 (kW) | | AMPERE | | Q (m³/h - l/min) | | | | | | | | |
|---------|----------|-----|-----|---------|------|------------------|------------------|------------------|------|------|------|------|------|------|------|------|
| 1~ | 3~ | HP | kW | 1~ | 3~ | 1~ | 3~ | 0 | 1,2 | 1,8 | 3 | 4,2 | 5,4 | 6,6 | 7,8 | 8,4 |
| | | | | | | | | 0 | 20 | 30 | 50 | 70 | 90 | 110 | 130 | 140 |
| | | | | | | 1x230 V 50 Hz | 3x400 V 50 Hz | H (m) | | | | | | | | |
| CAB 150 | CABT 150 | 1,5 | 1,1 | 1,74 | 1,68 | 7,9 | 3,3 | 61,0 | 56,5 | 54,0 | 48,0 | 41,0 | 32,0 | | | |
| CAB 200 | CABT 200 | 2 | 1,5 | 2,22 | 2,1 | 10,3 | 3,9 | 62,5 | 59,5 | 58,0 | 54,0 | 49,0 | 42,5 | 34,0 | | |
| CAB 300 | CABT 300 | 3 | 2,2 | 2,65 | 2,5 | 11,8 | 4,9 | 64,5 | 62,0 | 60,5 | 57,0 | 52,5 | 47,0 | 42,0 | 35,0 | 32,0 |



| TYPE | DIMENSIONS (mm) | | | | | | | | | | | | | Kg |
|---------|-----------------|-----|-----|-----|-----|-----|-----|-----|----------|------|-----|-----|-----|------|
| | A | B | C | D | E | F | H1 | H2 | DNA | DNM | I | L | M | |
| CAB 150 | 204 | 257 | 596 | 220 | 177 | 105 | 112 | 240 | | | 610 | 235 | 275 | 30 |
| CAB 200 | 204 | 257 | 596 | 220 | 177 | 105 | 112 | 240 | 1" 1/2 G | 1" G | 610 | 235 | 275 | 30,5 |
| CAB 300 | 204 | 257 | 596 | 220 | 177 | 105 | 112 | 240 | | | 610 | 235 | 275 | 31,5 |

